

# RAMMER R35P



PERFORMANCE LINE

VIBRATION AND SOUND SUPPRESSED

IDLE BLOW PROTECTION (FIELD ADJUSTABLE ON/OFF)

RAMLUBE II GREASING SYSTEM

RAMDATA II SERVICE INDICATOR

EXCELLENT POWER-TO-WEIGHT RATIO

NITROGEN PISTON ACCUMULATOR

PRESSURE DAMPENING MEMBRANE ACCUMULATOR

QUICK CHANGE TOOL SYSTEM

EASY TO SERVICE

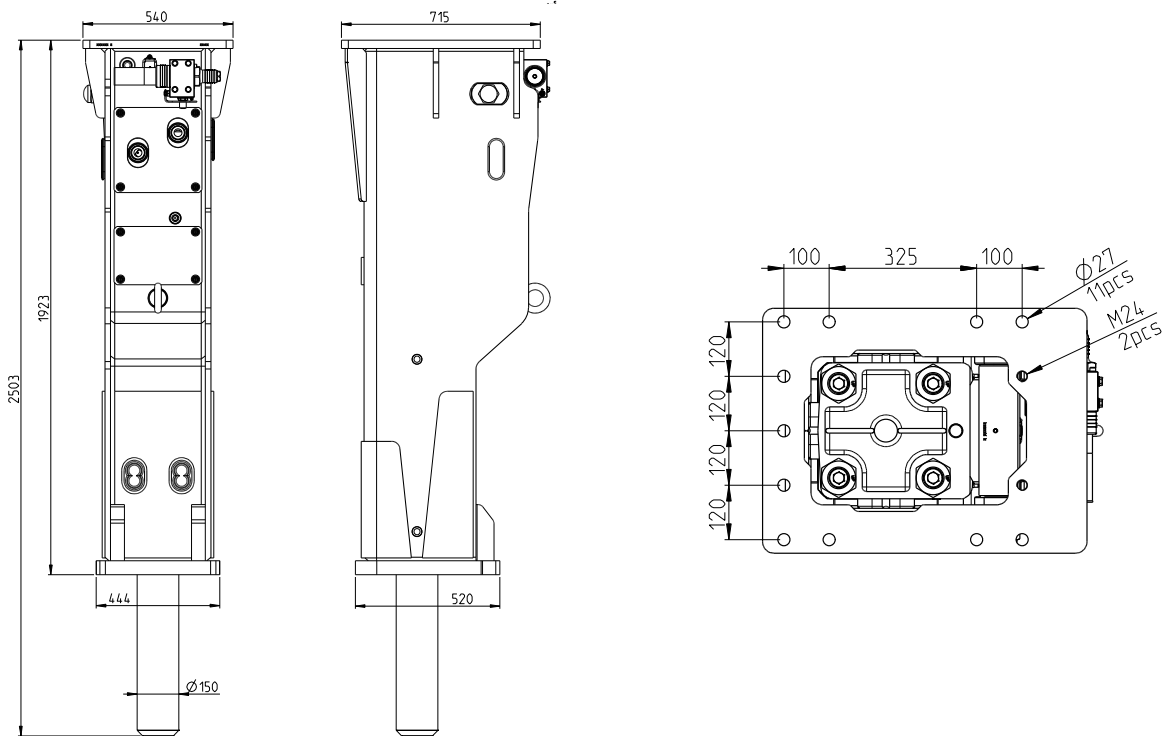


## UNBEATABLE PERFORMANCE

The new Rammer Performance Line hammers are your everyday solution for a wide range of breaking demands. Designed with proven Rammer features and standards, these Rammer Performance Line hammers offer more than just excellent power-to-weight ratio, they bring the quality reassurance that only a true Rammer hammer can bring.

Read more about the product from [www.rammer.com](http://www.rammer.com)





## ACCESSORIES



### Ramlube II

Lubrication system for optimum wear and impact protection.



### Ramdata II

Gives information about service interval status, service history and accumulated working history.

Minimum working weight, kg	2320
Impact rate, bpm	400–700
Operating pressure, bar	160–180
Pressure relief, min bar	210
Pressure relief, max bar	230
Oil flow range, l/min	150–200
Back pressure, max bar	10
Input power, kW	60
Tool diameter, mm	150
Carrier weight, allowed range, t	27–40
Noise level, measured sound power level, LWA, dB	118
Noise level, guaranteed sound power level, LWA, dB	122

## TOOLS

